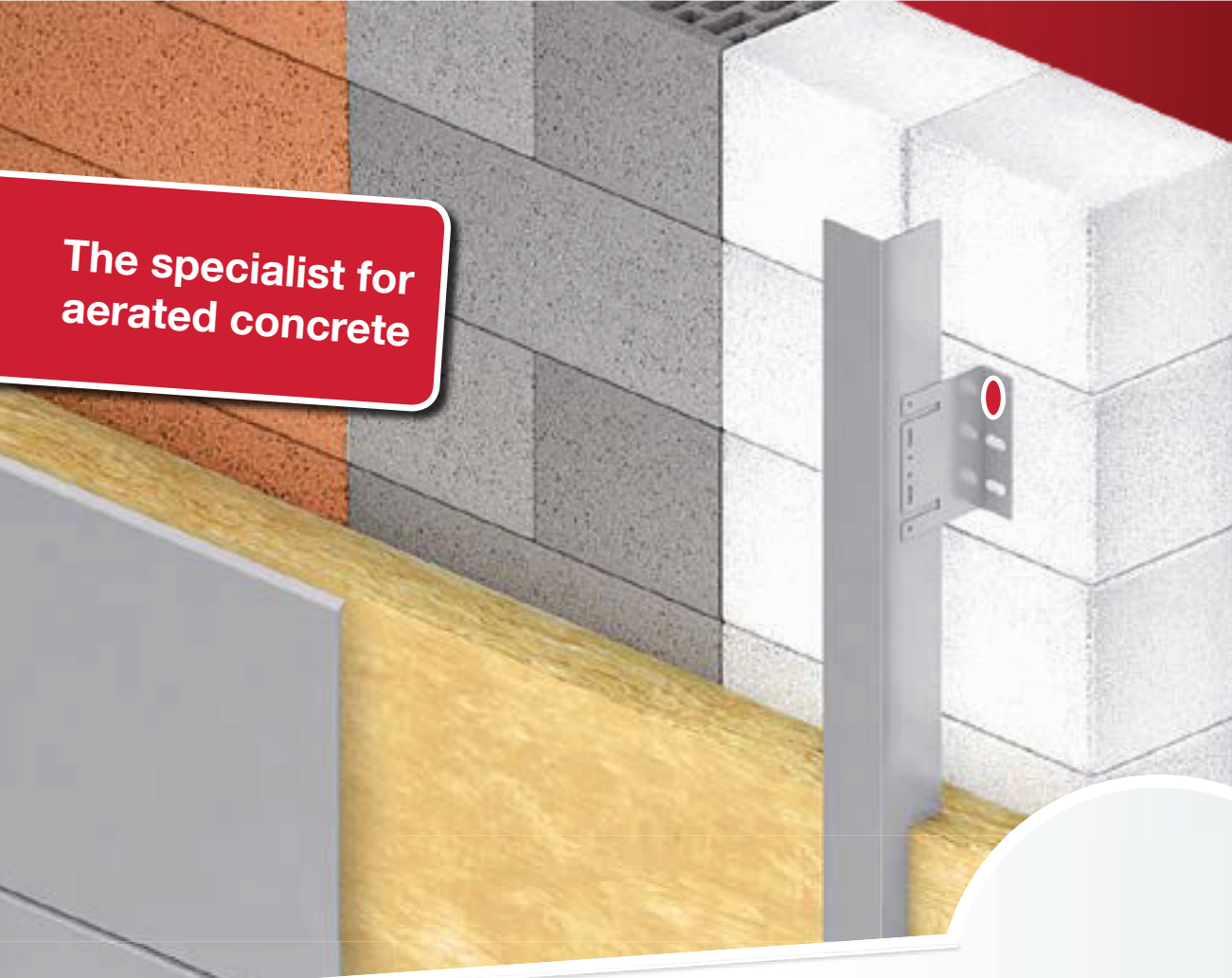


The specialist for
aerated concrete



EJOT[®] facade anchor SDP-10G

For fixing timber and metal substructures
in aerated concrete

www.ejot.es

EJOT[®]

EJOT® facade anchor SDP-S-10G

with countersunk head

Ø [mm]	Anchor length L [mm]	Fixing thickness $t_{fix} \leq$ [mm]	PU	Price/100 [EUR]	Order description	Article number
Anchor with steel screw with zinc-plated Cr(VI)-free coating (-V)						
10	80	10	100		SDP-S-10Gx80-V	8 530 080 420
10	100	30	100		SDP-S-10Gx100-V	8 530 100 420
10	120	50	100		SDP-S-10Gx120-V	8 530 120 420
10	140	70	100		SDP-S-10Gx140-V	8 530 140 420
10	160	90	100		SDP-S-10Gx160-V	8 530 160 420
10	180	110	100		SDP-S-10Gx180-V	8 530 180 420
10	200	130	100		SDP-S-10Gx200-V	8 530 200 420
10	220	150	100		SDP-S-10Gx220-V	8 530 220 420
Anchor with A4 stainless steel screws (-E)						
10	80	10	100		SDP-S-10Gx80-E	8 530 080 620
10	100	30	100		SDP-S-10Gx100-E	8 530 100 620
10	120	50	100		SDP-S-10Gx120-E	8 530 120 620
10	140	70	100		SDP-S-10Gx140-E	8 530 140 620
10	160	90	100		SDP-S-10Gx160-E	8 530 160 620
10	180	110	100		SDP-S-10Gx180-E	8 530 180 620
10	200	130	100		SDP-S-10Gx200-E	8 530 200 620
10	220	150	100		SDP-S-10Gx220-E	8 530 220 620

Application area

- Fixing wood components in aerated concrete

Properties

- Facade anchor with two-stage screw
- Reliable form-fit in the substrate due to combined expansion zones
- High load-carrying capacity
- Available with steel screws or stainless steel screws

Note

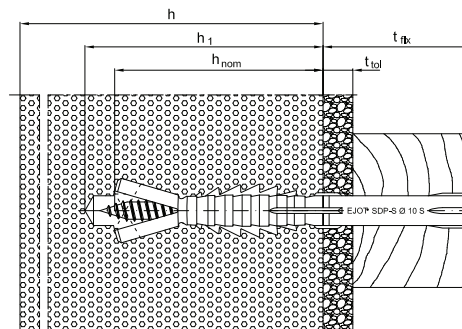
For planning and processing please note approval ETA-12/0502.

Characteristic values

Drive	Hexalobular drive T40
Drill hole depth $\geq t$	80 mm
Embedment depth $\geq h_v$	70 mm

Characteristic values

Compressive strength aerated concrete [N/mm ²]	
Aerated concrete 2	0.75 kN
Aerated concrete 3	1.31 kN
Aerated concrete 4	1.87 kN
Aerated concrete 6	3.00 kN
Partial safety factor γ_{MAC}	2.00 kN
Characteristic bending moment	
Steel screw	17.7 Nm / γ_{Ms} 1.50
Stainless steel screw	20.6 Nm / γ_{Ms} 1.87



T40



Approval
ETA-12/0502

Cross reference

- Cleaning brush
- Blow-out pump
- Tool belt
- Corrosion protection spray

EJOT® facade anchor SDP-KB-10G

with hexagon head

Ø [mm]	Anchor length L [mm]	Clamping thickness $t_{fix} \leq$ [mm]	PU	Price/100 [EUR]	Order description	Article number
Anchor with steel screw with zinc-plated Cr(VI)-free coating (-V)						
10	80	10	100		SDP-KB-10Gx80-V	8 532 080 420
10	100	30	100		SDP-KB-10Gx100-V	8 532 100 420
10	120	50	100		SDP-KB-10Gx120-V	8 532 120 420
10	140	70	100		SDP-KB-10Gx140-V	8 532 140 420
10	160	90	100		SDP-KB-10Gx160-V	8 532 160 420
10	180	110	100		SDP-KB-10Gx180-V	8 532 180 420
10	200	130	100		SDP-KB-10Gx200-V	8 532 200 420
10	220	150	100		SDP-KB-10Gx220-V	8 532 220 420
Anchor with A4 stainless steel screws (-E)						
10	80	10	100		SDP-KB-10Gx80-E	8 532 080 620
10	100	30	100		SDP-KB-10Gx100-E	8 532 100 620
10	120	50	100		SDP-KB-10Gx120-E	8 532 120 620
10	140	70	100		SDP-KB-10Gx140-E	8 532 140 620
10	160	90	100		SDP-KB-10Gx160-E	8 532 160 620
10	180	110	100		SDP-KB-10Gx180-E	8 532 180 620
10	200	130	100		SDP-KB-10Gx200-E	8 532 200 620
10	220	150	100		SDP-KB-10Gx220-E	8 532 220 620

Application area

- Fixing metal components in aerated concrete

Properties

- Facade anchor with two-stage screw
- Reliable form-fit in the substrate due to combined expansion zones
- High load-carrying capacity
- Available with steel screws or stainless steel screws

Note

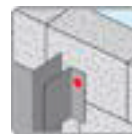
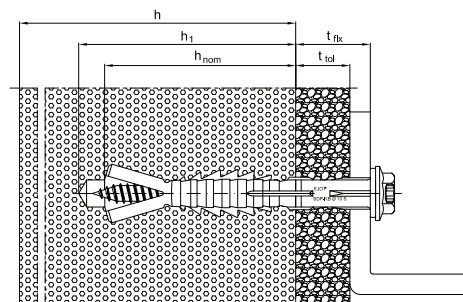
For planning and processing please note approval ETA-12/0502.

Characteristic values

Drive	AF13/T40
Drill hole depth $\geq t$	80 mm
Embedment depth $\geq h_y$	70 mm

Characteristic values

Compressive strength aerated concrete [N/mm ²]	
Aerated concrete 2	0.75 kN
Aerated concrete 3	1.31 kN
Aerated concrete 4	1.87 kN
Aerated concrete 6	3.00 kN
Partial safety factor γ_{MAAC}	2.00 kN
Characteristic bending moment	
Steel screw	17.7 Nm / γ_{Ms} 1.50
Stainless steel screw	20.6 Nm / γ_{Ms} 1.87



Approval
ETA-12/0502

Cross reference

- Cleaning brush
- Blow-out pump
- Tool belt
- Corrosion protection spray