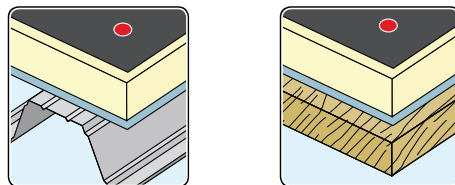


EJOT Dabo® screw SW 8 RT-4.8

To secure roofing membrane to substructures made of sheet steel, wood and wood-based material.



Application area

- To secure roofing membrane to sheet steel substructures $\geq 0.75 \text{ mm} \leq 1 \text{ mm}$
- For substructures made of wood and wood-based material
- In combination with EJOT® stress plate
 - HTV 82/40
 - HTV 82/40 F

Properties

- Case-hardened steel
- Climadur coated – high-quality coating to improve corrosion protection (15 Kesternich cycles, DIN 50018, 1997)
- With A/F8 hexagon head and high thread to prevent screw head protrusion due to foot traffic

Approval

ETA-07/0013

Technical Data

Drilling capacity $t_1 + t_{II}$ 2.0 mm
 Drive hexagon A/F8

Length determination*

Sheet steel: insulation thickness +20 mm
 Timber: insulation thickness +30 mm

* Min. lengths



Cross reference:

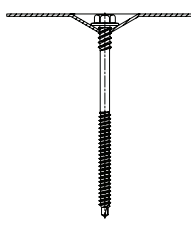
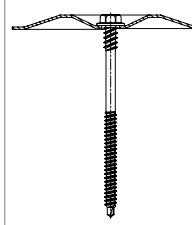
ECOset and ECOset L
installation tools



EJOT Dabo® screw SW 8 RT-4.8

Ø mm	Length mm	PU	Order description	Part number
bulk packed				
4.8	80	250	SW8RT-4.8x80	3 477 100 629
4.8	100	250	SW8RT-4.8x100	3 477 300 629
4.8	120	250	SW8RT-4.8x120	3 477 500 629
4.8	140	200	SW8RT-4.8x140	3 477 700 629
4.8	160	200	SW8RT-4.8x160	3 477 900 629
4.8	180	200	SW8RT-4.8x180	3 478 100 629
4.8	200	200	SW8RT-4.8x200	3 478 300 629
4.8	220	200	SW8RT-4.8x220	3 478 400 629
4.8	240	150	SW8RT-4.8x240	3 478 600 629
4.8	260	250	SW8RT-4.8x260	3 478 800 629
belted				
4.8	80	750	SW8RT-4.8x80-belt-fed	3 477 101 629
4.8	100	750	SW8RT-4.8x100-belt-fed	3 477 301 629
4.8	120	750	SW8RT-4.8x120-belt-fed	3 477 501 629
4.8	140	750	SW8RT-4.8x140-belt-fed	3 477 701 629
4.8	160	750	SW8RT-4.8x160-belt-fed	3 477 901 629
4.8	180	750	SW8RT-4.8x180-belt-fed	3 478 101 629
4.8	200	750	SW8RT-4.8x200-belt-fed	3 478 301 629
4.8	220	750	SW8RT-4.8x220-belt-fed	3 478 401 629
4.8	240	750	SW8RT-4.8x240-belt-fed	3 478 601 629
4.8	260	750	SW8RT-4.8x260-belt-fed	3 478 801 629

Compatibility acc. to ETA-07/0013

	HTK 50	HTK 2G	HTV 82/40 TK	HTV 82/40	HTV 82/40 F	HTV 40 RU	EcoTek 50
Dabo® A/F8 RT-4.8							

Characteristic values of the tensile strength

No.	EJOT Fastening Systems		Surface								
	Screw	Stress plate	Sheet steel		Wood				Con- crete ⁷⁾	Light- weight con- crete ⁸⁾	Aerated con- crete ⁹⁾
			1)	2)	3)	4)	5)	6)			
			[kN]								
2	Dabo® A/F8RT-4.8xL	HTV 82/40		1.06	1.42			1.70	1.08		
14	Dabo® A/F8RT-4.8xL	HTV 82/40 F		1.06	1.20			1.20	1.08		

ETA-07/0013, Page 37

- 1) S280 GD – EN 10346; Thickness $t_{min} = 0.63$ mm
- 2) S280 GD – EN 10346; Thickness $t_{min} = 0.75$ mm
- 3) T&G boarding: EN 338/C24, Thickness ≥ 25 mm
- 4) Wood chipboard P4: EN 12369-1; Thickness ≥ 19 mm
- 5) Plywood: EN 12369-2; Thickness ≥ 21 mm
- 6) OSB/3: EN 12369-1; Thickness ≥ 18 mm

- 7) C 12/15 EN 206, effective installation depth ≥ 30 mm
- 8) LC 12/13 EN 206; effective installation depth ≥ 30 mm
- 9) P 3.3/5.0 EN 12602
- 10) Effective installation depth ≥ 60 mm
- 11) Effective installation depth ≥ 65 mm