

EJOT® SUPER-SAPHIR **self-drilling screw JT3-D-2H-6.5/7.0**

Fastening sandwich panels to timber substructure

www.ejot.es

EJOT®

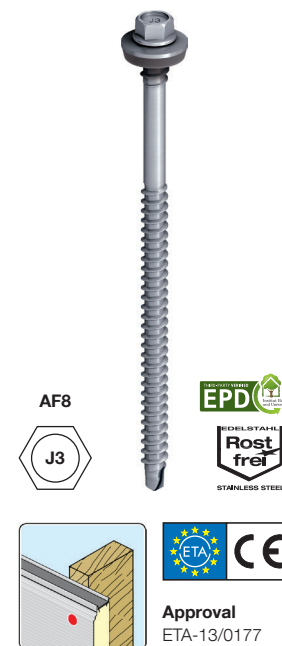
Self-drilling screws JF3/JT3

A2 stainless steel with hardened steel point / steel drill point



EJOT® SUPER-SAPHIR self-drilling screw JT3-D-2H-6.5/7.0

Length [mm]	For sandwich panels [mm]	PU	Price/100 [EUR]	Order description	Article number
Sealing washer E16, Ø 16 mm					
100	20 - 45	100		JT3-D-2H-6.5/7.0x100-E16	3 558 411 351
120	40 - 65	100		JT3-D-2H-6.5/7.0x120-E16	3 558 511 351
140	60 - 85	100		JT3-D-2H-6.5/7.0x140-E16	3 558 611 351
160	80 - 105	100		JT3-D-2H-6.5/7.0x160-E16	3 558 711 351
180	100 - 125	100		JT3-D-2H-6.5/7.0x180-E16	3 558 811 351
200	120 - 145	100		JT3-D-2H-6.5/7.0x200-E16	3 558 911 351
220	140 - 165	100		JT3-D-2H-6.5/7.0x220-E16	3 559 311 351
240	160 - 185	100		JT3-D-2H-6.5/7.0x240-E16	3 559 011 351
280	200 - 225	100		JT3-D-2H-6.5/7.0x280-E16	3 559 111 351
300	220 - 245	100		JT3-D-2H-6.5/7.0x300-E16	3 559 211 321
Sealing washer E19, Ø 19 mm					
100	20 - 45	100		JT3-D-2H-6.5/7.0x100-E19	3 558 466 351
120	40 - 65	100		JT3-D-2H-6.5/7.0x120-E19	3 558 566 351
140	60 - 85	100		JT3-D-2H-6.5/7.0x140-E19	3 558 666 351
160	80 - 105	100		JT3-D-2H-6.5/7.0x160-E19	3 558 766 351
180	100 - 125	100		JT3-D-2H-6.5/7.0x180-E19	3 558 866 351
200	120 - 145	100		JT3-D-2H-6.5/7.0x200-E19	3 558 966 351
220	140 - 165	100		JT3-D-2H-6.5/7.0x220-E19	3 559 366 351
240	160 - 185	100		JT3-D-2H-6.5/7.0x240-E19	3 559 066 351
280	200 - 225	100		JT3-D-2H-6.5/7.0x280-E19	3 559 166 351
300	220 - 245	100		JT3-D-2H-6.5/7.0x300-E19	3 559 266 351
Sealing washer E22, Ø 22 mm					
100	20 - 45	100		JT3-D-2H-6.5/7.0x100-E22	3 558 413 351
120	40 - 65	100		JT3-D-2H-6.5/7.0x120-E22	3 558 513 351
140	60 - 85	100		JT3-D-2H-6.5/7.0x140-E22	3 558 613 351
160	80 - 105	100		JT3-D-2H-6.5/7.0x160-E22	3 558 713 351
180	100 - 125	100		JT3-D-2H-6.5/7.0x180-E22	3 558 813 351
200	120 - 145	100		JT3-D-2H-6.5/7.0x200-E22	3 558 913 351
220	140 - 165	100		JT3-D-2H-6.5/7.0x220-E22	3 559 313 351
240	160 - 185	100		JT3-D-2H-6.5/7.0x240-E22	3 559 013 351
280	200 - 225	100		JT3-D-2H-6.5/7.0x280-E22	3 559 113 351
300	220 - 245	100		JT3-D-2H-6.5/7.0x300-E22	3 559 213 351



Cross reference
 Accessories
 Self-drilling screw JT3-2-6.5
 EJOFAST® JF3-6.8
 Metal screwdriver SCS 6.3

Note
 See relevant annexes of European technical approvals at the following pages.

Please download complete European technical approvals at our website:

www.ejot.es

Application area

- Fastening sandwich panels to timber substructure

Properties

- A2 stainless steel with hardened drill point
- Stainless steel sealing washer
- Pre-assembled sealing washer
- With free spin zone under screw head
- High thread

Technical Data

Drive	Hexagon AF8
Ø screw	6.5 mm
Ø high thread	7.0 mm

WWW.AUSSCHREIBEN.DE

Minimum tensile strength	
Ø mm	kN
6.5	11.5

Minimum shear strength	
Ø mm	kN
6.5	7.5

Self-drilling screws JF3/JT3

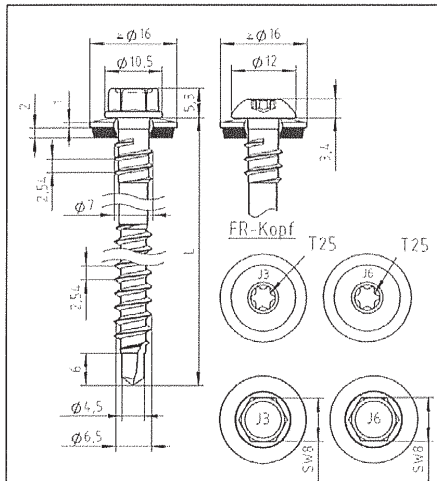
A2 stainless steel with hardened steel point / steel drill point



Page 26 of European technical approval
ETA-13/0177 of 26 April 2013

English translation prepared by DIBt

Deutsches
Institut
für
Bautechnik



Materials:

Fastener: stainless steel (1.4301) – EN 10088
stainless steel (1.4401) – EN 10088
Washer: stainless steel (1.4301) – EN 10088
Component I: S280GD – EN 10346
Component II: structural timber – EN 14081

Drilling capacity: $t_{N2} \leq 2,00$ mm

Timber supporting structures:
performance determined with

$M_{y,Rk} = 9,742$ Nm
 $f_{ax,k} = 11,810$ N/mm² für $l_{ef} \geq 44$ mm

t_{N1}, t_{N2}, d, D [mm]	50	53	56	59	62	65	68	71	74	77	80	
$V_{R,k}$ [kN]	1,03	1,03	1,03	1,03	1,03	1,03	1,03	1,03	1,03	1,03	1,03	1,03
$N_{R,k}$ [kN]	1,57	1,57	1,57	1,57	1,57	1,57	1,57	1,57	1,57	1,57	1,57	1,57
max u [mm]	4,0	4,0	4,0	4,0	4,0	4,0	4,0	4,0	4,0	4,0	4,0	4,0
$M_{t,nom}$ [Nm]												

The values listed above in dependance on the screw-in length in length l_g are valid for $k_{mod} = 0,90$ and timber strength grade C24 ($\rho_k = 350$ kg/m³). For other values of k_{mod} and timber strength grades see section 4.2.2.

Self drilling screw	Annex 16
EJOT® JT3-D-2H-6,5/7,0 x L EJOT® JT3-D-FR-2H-6,5/7,0 x L with sealing washer $\geq \phi 16$ mm	

Self-drilling screws JF3/JT3

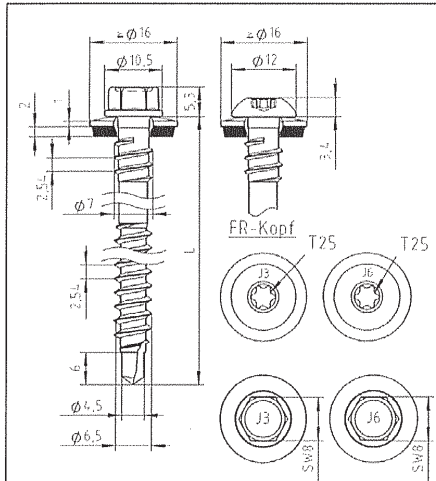
A2 stainless steel with hardened steel point / steel drill point



Page 27 of European technical approval
ETA-13/0177 of 26 April 2013

English translation prepared by DIBt

Deutsches
Institut
für
Bautechnik



Materials:

Fastener: stainless steel (1.4301) – EN 10088
stainless steel (1.4401) – EN 10088
Washer: stainless steel (1.4301) – EN 10088
Component I: S320GD or S350GD – EN 10346
Component II: structural timber – EN 14081

Drilling capacity: $t_{N2} \leq 2,00$ mm

Timber supporting structures:
performance determined with

$M_{y,Rk} = 9,742$ Nm
 $f_{Rk,k} = 11,810$ N/mm² für $l_{ef} \geq 44$ mm

t_{N1}, t_{N2}, d, D [mm]	50	53	56	59	62	l_0 [mm]						
						65	68	71	74	77	80	
$V_{R,k}$ [kN]	1,11	1,11	1,11	1,11	1,11	1,11	1,11	1,11	1,11	1,11	1,11	1,11
	1,20	1,20	1,20	1,20	1,20	1,20	1,20	1,20	1,20	1,20	1,20	1,20
	1,30	1,30	1,30	1,30	1,30	1,30	1,30	1,30	1,30	1,30	1,30	1,30
	1,40	1,40	1,40	1,40	1,40	1,40	1,40	1,40	1,40	1,40	1,40	1,40
	1,40	1,40	1,40	1,40	1,40	1,40	1,40	1,40	1,40	1,40	1,40	1,40
	1,40	1,40	1,40	1,40	1,40	1,40	1,40	1,40	1,40	1,40	1,40	1,40
	1,40	1,40	1,40	1,40	1,40	1,40	1,40	1,40	1,40	1,40	1,40	1,40
$N_{R,k}$ [kN]	1,70	1,70	1,70	1,70	1,70	1,70	1,70	1,70	1,70	1,70	1,70	1,70
	1,90	1,90	1,90	1,90	1,90	1,90	1,90	1,90	1,90	1,90	1,90	1,90
	2,10	2,10	2,10	2,10	2,10	2,10	2,10	2,10	2,10	2,10	2,10	2,10
	2,40	2,40	2,40	2,40	2,40	2,40	2,40	2,40	2,40	2,40	2,40	2,40
	3,04	3,25	3,45	3,60	3,60	3,60	3,60	3,60	3,60	3,60	3,60	3,60
	3,04	3,25	3,45	3,66	3,66	3,87	4,08	4,28	4,49	4,50	4,50	4,50
	3,04	3,25	3,45	3,66	3,66	3,87	4,08	4,28	4,49	4,91	5,11	5,30
max u [mm]	4,0	4,0	4,0	4,0	4,0	4,0	4,0	4,0	4,0	4,0	4,0	4,0
	5,5	5,5	5,5	5,5	5,5	5,5	5,5	5,5	5,5	5,5	5,5	5,5
	7,5	7,5	7,5	7,5	7,5	7,5	7,5	7,5	7,5	7,5	7,5	7,5
	9,0	9,0	9,0	9,0	9,0	9,0	9,0	9,0	9,0	9,0	9,0	9,0
	11,5	11,5	11,5	11,5	11,5	11,5	11,5	11,5	11,5	11,5	11,5	11,5
	13,5	13,5	13,5	13,5	13,5	13,5	13,5	13,5	13,5	13,5	13,5	13,5
	18,0	18,0	18,0	18,0	18,0	18,0	18,0	18,0	18,0	18,0	18,0	18,0
	18,0	18,0	18,0	18,0	18,0	18,0	18,0	18,0	18,0	18,0	18,0	18,0
	18,0	18,0	18,0	18,0	18,0	18,0	18,0	18,0	18,0	18,0	18,0	18,0
$M_{t, nom}$ [Nm]												

The values listed above in dependence on the screw-in length in length l_0 are valid for $k_{mod} = 0,90$ and timber strength grade C24 ($\rho_k = 350$ kg/m³). For other values of k_{mod} and timber strength grades see section 4.2.2.

Self drilling screw	Annex 17
EJOT® JT3-D-2H-6,5/7,0 x L EJOT® JT6-D-2H-6,5/7,0 x L EJOT® JT3-D-FR-2H-6,5/7,0 x L EJOT® JT6-D-FR-2H-6,5/7,0 x L	
with sealing washer $\geq \varnothing 16$ mm	